

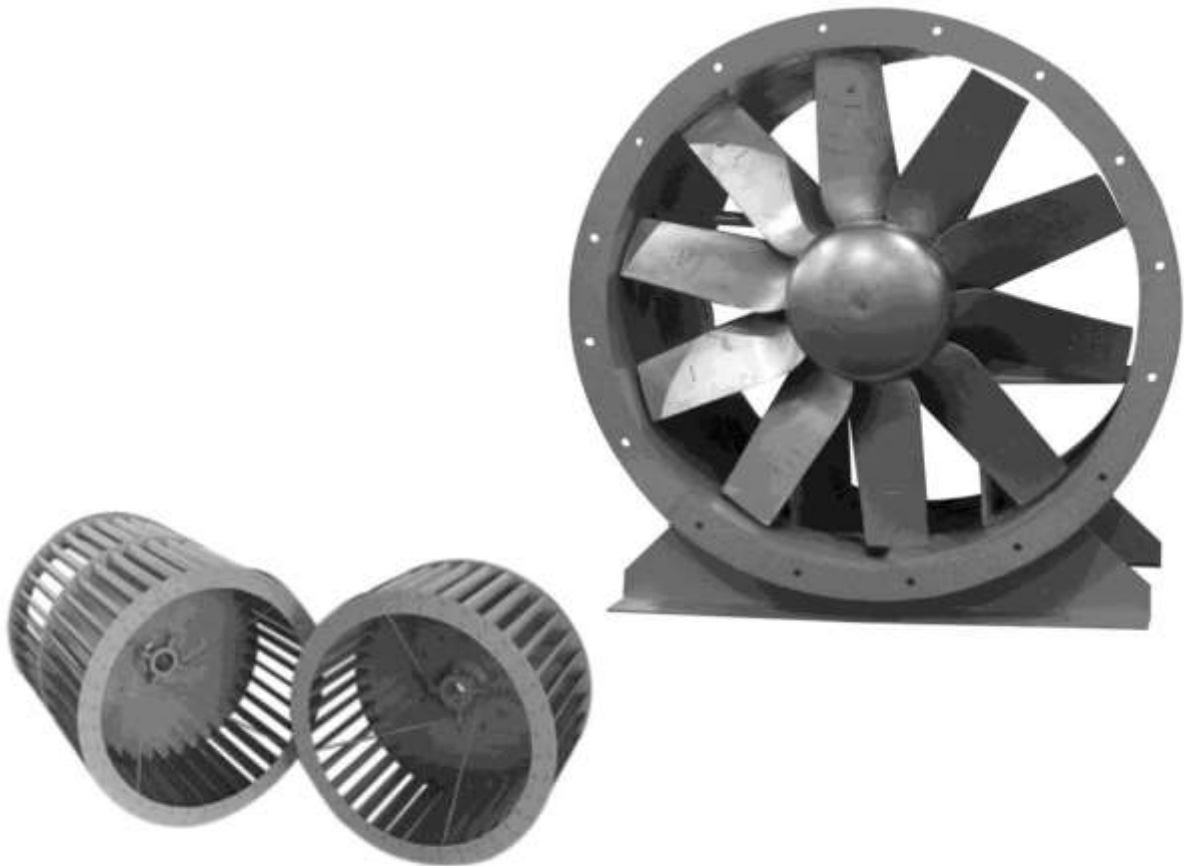
FAN

Fans are manufactured in two main groups, axial fans and centrifugal fans. In axial fans air flow direction is parallel to the fan axis. The types of axial fans depend on blades, shape, form, material and air flow direction.

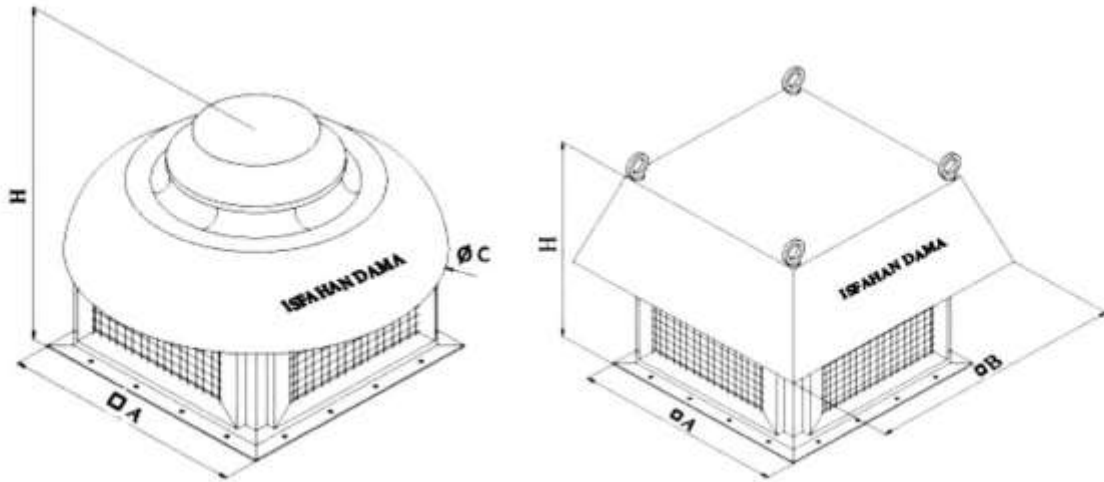
Centrifugal fans manufactured by **ISFAHANDAMA** are as the following types:

- Forward curved blades SWSI
- Forward curved blades DWDI
- Backward curved blades SWSI
- Backward curved blades DWDI
- Backward inclined blades

Performance, characteristics, and dimensions are given in the related catalogs.



**POWER ROOF VENTILATOR
DIMENSIONS**



Model	A	ØC	B	H
IDRP-200	474	Ø650	-	460
IDRP-225	524	Ø750	-	540
IDRP-250	554	Ø750	-	580
IDRP-280	574	-	850	670
IDRP-315	624	-	900	690
IDRP-355	672	-	950	722.5
IDRP-400	712	-	990	755
IDRP-450	742	-	1020	780
IDRP-500	772	-	1050	826
IDRP-560	850	-	1130	865
IDRP-630	950	-	1210	1030
IDRP-710	1090	-	1350	1065
IDRP-800	1190	-	1450	1130